



PROJECT		REF		REV	ITEM CODE	
LOCATION		DATE			PAGE	



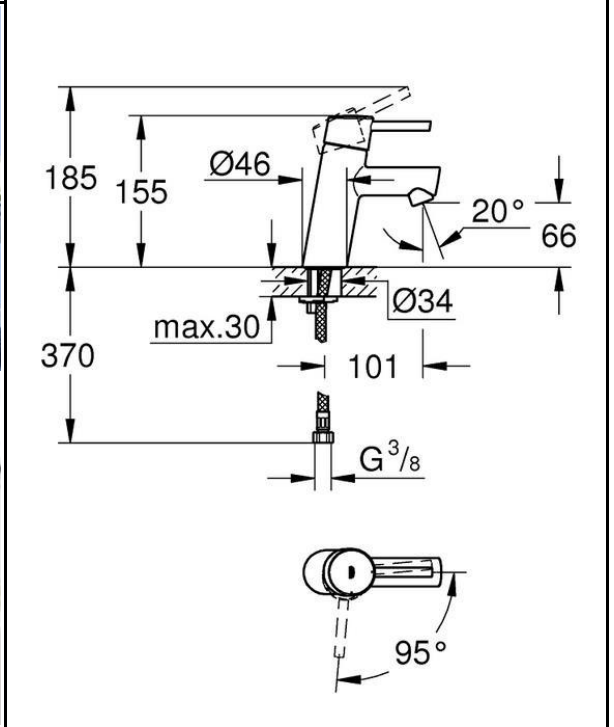
## SANITARY WARE SPECIFICATION SHEET

Item Descriptions	GROHE (Germany) "Concetto" Chrome plated single-lever basin mixer 1/2" S-Size with temperature limiter
Dimensions	L101 x W46 x H185 mm
Model	2338510E
Finish	Chrome Plated
Country of origin	Thailand
Manufacturer	GROHE AG
Supplier	Acme Sanitary Ware Co. Ltd Mr. Eric Wong/ Mr. Don Yuen
Contact Tel/Fax	(852) 2388-7171 / (852) 2710-8012
E-mail	acme@acmesanitary.com.hk
Website	www.acmesanitary.com.hk



**"Concetto"**  
**Basin mixer 1/2" S-Size**

- metal lever
- monobloc installation
- **GROHE SilkMove ES** 28 mm ceramic cartridge with energy saving function via cold start
- adjustable flow rate limiter
- with temperature limiter
- **GROHE StarLight** chrome finish
- **GROHE EcoJoy** mousseur 5.7 l/min
- **GROHE QuickFix** rapid installation system
- smooth body
- flexible connection hoses

Note:

\* All information of the above is for the reference only. No prior notice is made if any changes.



PROJECT		REF		REV	ITEM CODE	
LOCATION		DATE			PAGE	

## SANITARY WARE SPECIFICATION SHEET

**GROHE SilkMove cartridge technology for smooth handling**

This premium tap comes with a continuously variable water temperature and volume adjustment technology, ensuring effortless lever operation even after years of use.

**Easy to clean thanks to the GROHE StarLight chrome coating**

Just wipe the tap down with a dry cloth – the ultra smooth surface finish is scratch resistant and ensures a lasting luminous sheen. You'll save plenty of time cleaning while your tap always looks shiny and new.

**GROHE EcoJoy with water-saving function for reduced consumption**

GROHE EcoJoy reduces water consumption by up to 50% without compromising on performance. Whenever you turn on your tap, you will enjoy a full jet of water while saving money nonetheless.

**GROHE QuickFix Plus quick and easy installation in a few simple steps**

Save time on the installation of your tap with GROHE QuickFix Plus. Consisting of fewer parts, our new system makes the installation process quicker and easier than ever.

**GROHE StarLight\* Chrome**

**GROHE PVD**  
10x more scratch resistance  
3x more surface hardness

**GROHE surface hardness**  
Chrome: 3x, PVD: 3x

**GROHE scratch resistance**  
Chrome: 10x, PVD: 10x

Pos.-nr.	Prod. description	Order-nr.
1	lever	46869000
2	Fitting ring	46715000
3	Cartridge	46580000
4	Mousseur	13935000
5	Shank fastening assembly	46249000
6	Mounting wrench	19017000*
7	Base plate	48165000*

\* Optional accessories

**Note:**

\* All information of the above is for the reference only. No prior notice is made if any changes.